

Stock Code: **20467LEDD-BS/ACR**

Collection: Solero

PRODUCT INFORMATION

Base: 20467 Parent: 20467LEDD
Mounting Type: Ceiling UPC: 641594214819
Finish: Brushed Steel
Diffuser: Acrylic Lens

PRODUCT MEASUREMENTS

| FIXTURE | BACKPLATE / CANOPY |
|-----------------|--------------------|
| Length: | Length |
| Width: | Width: |
| Diameter 24" | Diameter: 24" |
| Height: 6" | Height: 0.5" |
| Extension: | |
| Overall Height: | |

TECHNICAL SPECIFICATIONS

SPECIFICATIONS

Frame Material: Steel
Diffuser Material: Acrylic
Lamping Type: SSL (Dedicated LED) Jbox: Standard
Lamping Base: SSL Lamp Wattage: 35 W
Lamp Quantity: 1 Total Wattage: 35 W
Voltage: 120v Lamps Included: Yes

QUALIFICATIONS

Location Rating Damp
Certification: ETL (US/Canada) Listed
ADA Compliant: No Energy Star: No
JA8 Compliant: No Emergency Lighting: No
Marine Grade: No Warranty: 5 Year

PHOTOMETRICS

Dimmable: Yes Nominal Lumens 3000 Lm
CRI: 90 Delivered Lumens: 2141 Lm
CCT: 3000K
Recommended Dimmers:
(ELV)LUTRON Maestro CL MACL-153M; (ELV)LUTRON
Maestro MRF2-6CL; (ELV)LUTRON Caseta PD - 6WCL;
(TRIAC)LUTRON Diva DVCL-153P

Additional Notes:

Custom Finish 5 Piece Minimum Order Quantity

Project Name: _____

Location: _____

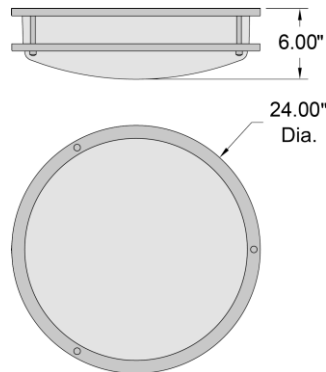
Type: _____

Quantity: _____

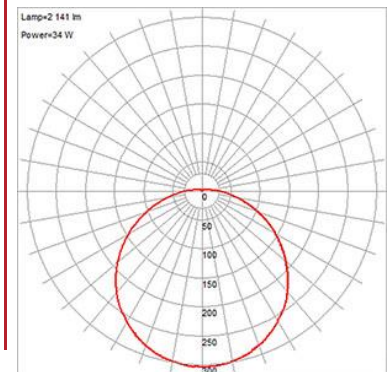
Notes:



LINE DRAWING



IES FILE



In addition to Access Lighting's purchase and warranty terms and conditions, by signing below or placing an order, you agree that you are authorized to bind the entity placing any order and acknowledge the following: All of sizes and measurements are approximate and all images are for illustrative purposes only. In the event of an inconsistency, the "Product Measurements" section controls. There also may be slight differences in the colors and designs compared to the displayed and printed images.

Signature: _____

Print Name _____ Date: _____

Toll Free 800-828-5483 www.AccessLighting.com

14410 Myford Road, Irvine, CA 92606

