

Model No :: **20440LEDDL-BS/OPL**
 Name :: Artemis



Project Name :: _____
 Location :: _____
 Type :: _____
 Quantity :: _____
 Notes :: _____

Product Information	
Product ID ::	20440
UPC Code ::	
Mounting Type ::	Wall
Finish ::	Brushed Steel (BS)
Diffuser ::	Opal (OPL)
Alt. Finishes ::	N/A
Alt. Diffusers ::	N/A

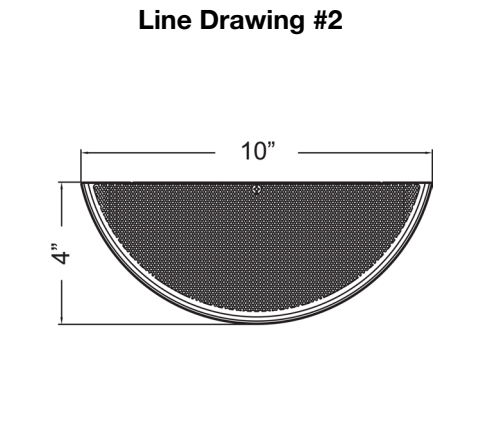
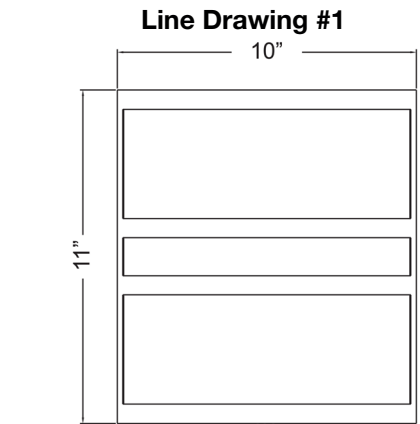
Product Dimensions			
Fixture		Canopy	
Length ::	N/A	Length ::	10
Width ::	10	Width ::	7
Diameter ::	N/A	Diameter ::	N/A
Extension ::	4	Height ::	0.5
Height ::	11		
Overall Height ::	N/A Max.		



Technical Specifications

Qualifications	Specifications	Photometrics	Recommended Dimmers
Location Rating :: Damp	Frame Material :: Steel	CCT :: 3000	(ELV) LUTRON Skylark SELV-300P; (MLV) COOPER Aspire 9530SW; (TRIAC) LEGRAND Titan CD703-PW
Certification :: cULus	Diffuser Material:: Glass	CRI :: 90	
IES File :: No	Voltage :: 120v	Wattage :: 20 W	Titan CD703-PW
JA8 Compliant :: Yes	Lamping Type :: Replaceable LED	Nominal Lumens :: 1600	
Energy Star :: Yes	Lamping Base :: E-26	Delivered Lumens :: N/A	
ADA Compliant :: Yes	Lamp Quantity :: 2		
Marine Grade :: No	Lamp Wattage :: 10 W		
Emergency Lighting :: No	Total Wattage :: 20 W		
Warranty :: 3 Year Limited	Lamps Included :: Yes		
	J-Box Type :: Standard		

Custom Options :: N/A; Additional Items :: N/A



IES File

Image Not Available

Toll Free 800-828-5483 or www.AccessLighting.com

14410 Myford Road, Irvine, CA 92606
 The information provided is subject to change without notice. ©2018 Access Lighting Corporation. All Rights Reserved
 Rev. 201809 Filename: 20440-BS_OPL.pdf

